

**WIRE TABLE Ø40**  
**Assembly Instruction**



## Before you get started



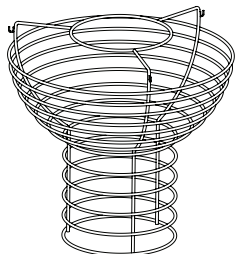
Read the entire manual  
before mounting

**Recommendation:** If the external flexible cable or cord of this luminaire is damaged, it shall be exclusively replaced by the manufacturer or their service agent or a similar qualified person in order to avoid a hazard.

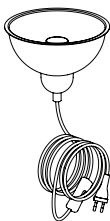
**Maintenance: IMPORTANT!** Clean with a soft cloth, warm water and a mild detergent. Do NOT use any abrasive materials.

**Light source:** To achieve a bright, warm and clean light we recommend a light source with the following: 800+ lumens, 2700 Kelvin, CRI90+

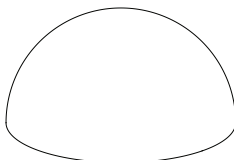
**Box contains:**



Wire Base x 1



Cup x 1



Shell x 1

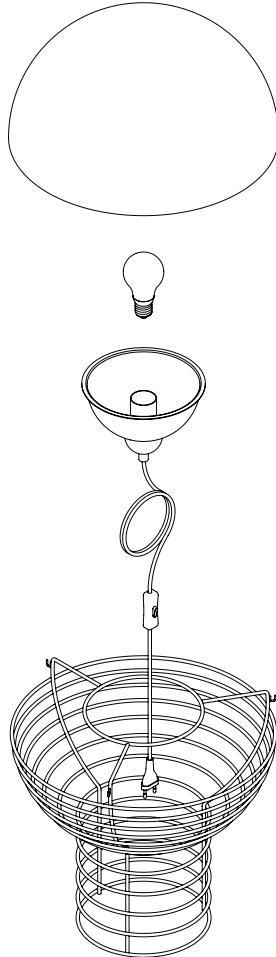
**You will also need:**

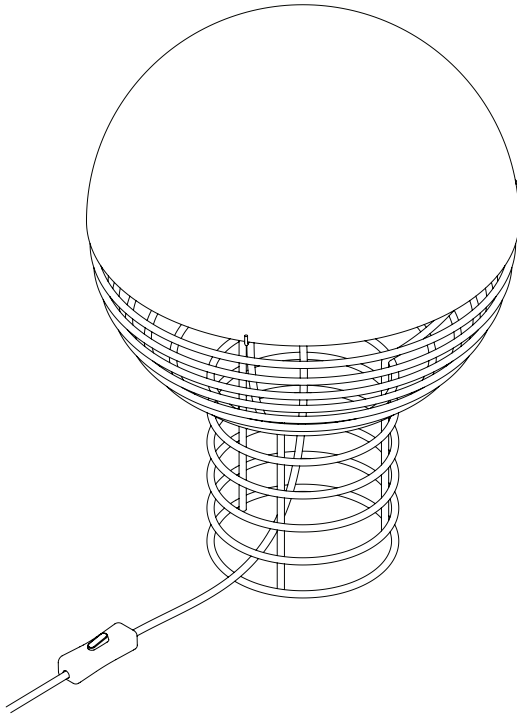


**EU** E27, max. 25W  
**US** E26, max. 25W

**1**

Pull the cord down through the center of the lamp and out over the bottom ring. Insert light source. Attach the acrylic shell on top of the lamp.











Egeskovvej 29 | 8700 Horsens | Denmark  
info@verpan.com | verpan.com